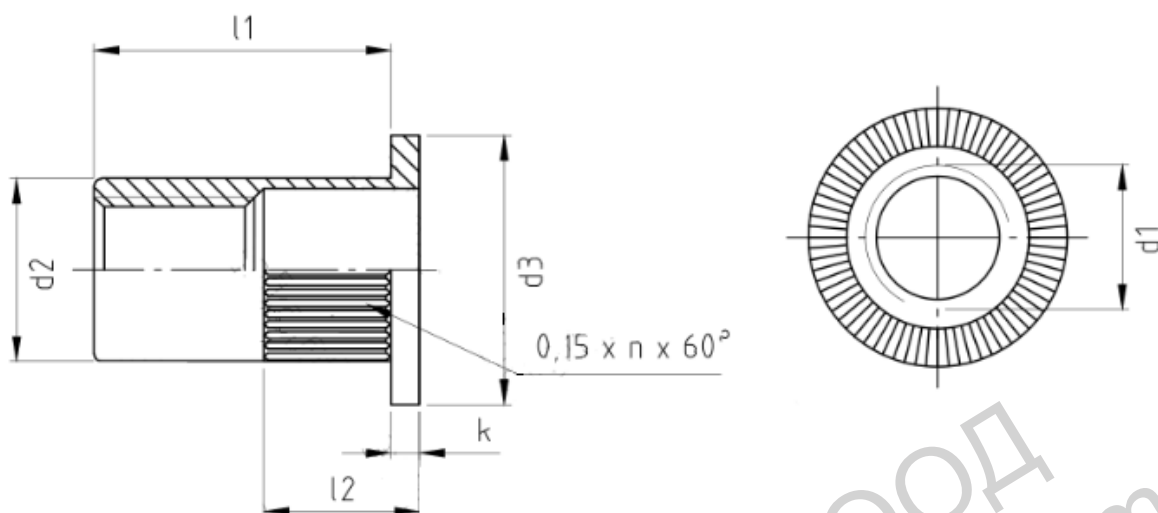



## Гайка нит с периферия Inox Mare 9315



Ø d1	l1	d2	d3	l2	k	n		Coppia di serraggio Indicate torque Nm	Resistenza a taglio Shear strength N	Carico di rottura Strength N
M4	10,0	5,9	9,0	5,5	1,0	30	0,3 – 3,0	6,9	3.900	6.800
M4	11,5	5,9	9,0	7,5	1,0	30	3,1 – 4,0	6,9	3.900	6.800
M5	12,0	6,9	10,0	6,0	1,0	30	0,3 – 3,0	10,0	4.500	11.700
M5	15,0	6,9	10,0	8,0	1,0	30	3,1 – 4,0	10,0	4.500	11.700
M6	14,5	8,9	13,0	8,0	1,5	36	0,5 – 3,0	20,0	4.900	18.600
M6	16,0	8,9	13,0	10,0	1,5	36	3,1 – 4,5	20,0	4.900	18.600
M8	16,0	10,9	16,0	8,5	1,5	36	0,5 – 3,0	29,0	6.800	27.400
M8	18,5	10,9	16,0	11,0	1,5	36	3,1 – 5,5	29,0	6.800	27.400
M10	17,0	12,9	19,0	10,0	2,0	40	0,5 -3,0	38,0	7.800	39.400
M10	22,0	12,9	19,0	13,0	2,0	40	3,1 – 6,0	38,0	7.800	39.400
M12	23,0	15,9	23,0	12,0	2,0	40	1,0 – 4,0	48,5	9.800	52.900